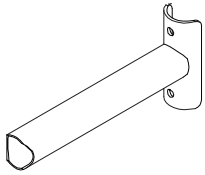


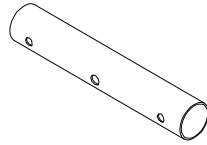
# PulseBar Stand Assembly Instructions

## Component List

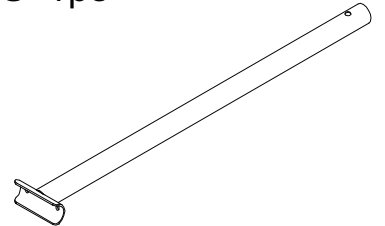
A - 1pc



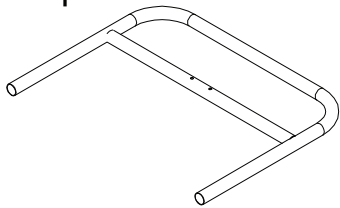
B - 1pc



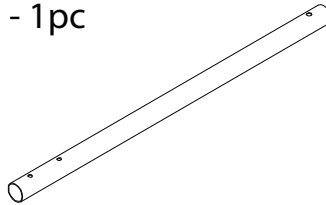
C - 1pc



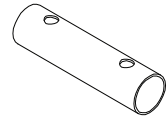
D - 1pc



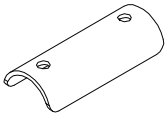
E - 1pc



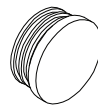
F - 1pc



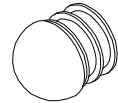
G - 2pcs



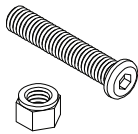
H - 2pcs



I - 3pcs



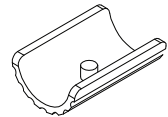
J - 4pcs



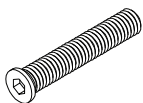
K - 2pcs



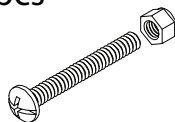
L - 6pcs



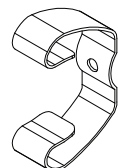
M - 1pc



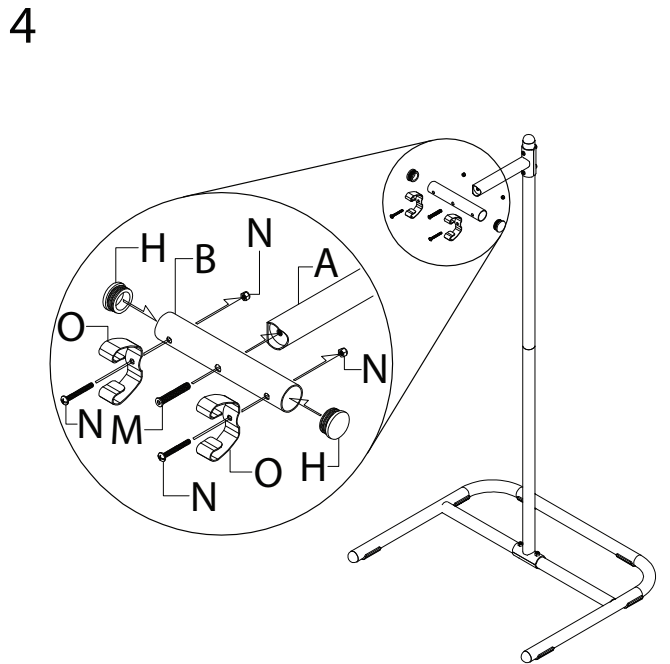
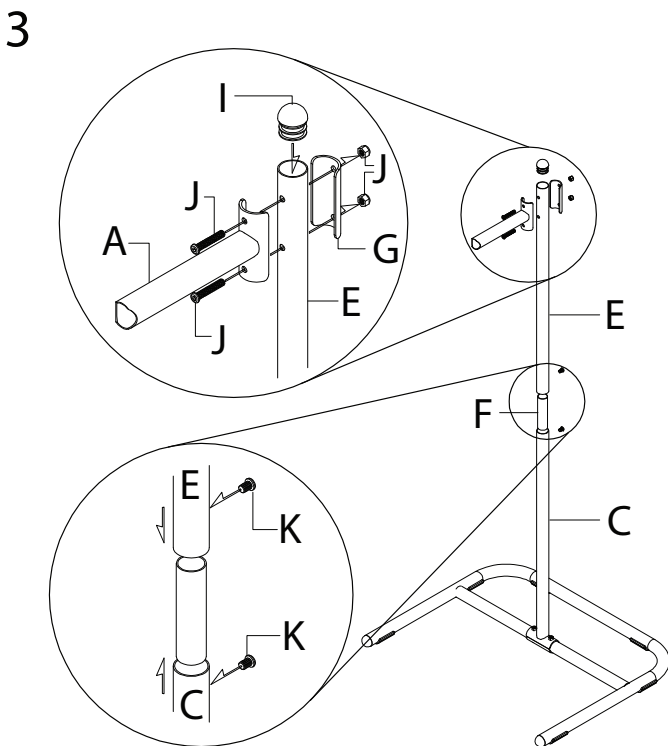
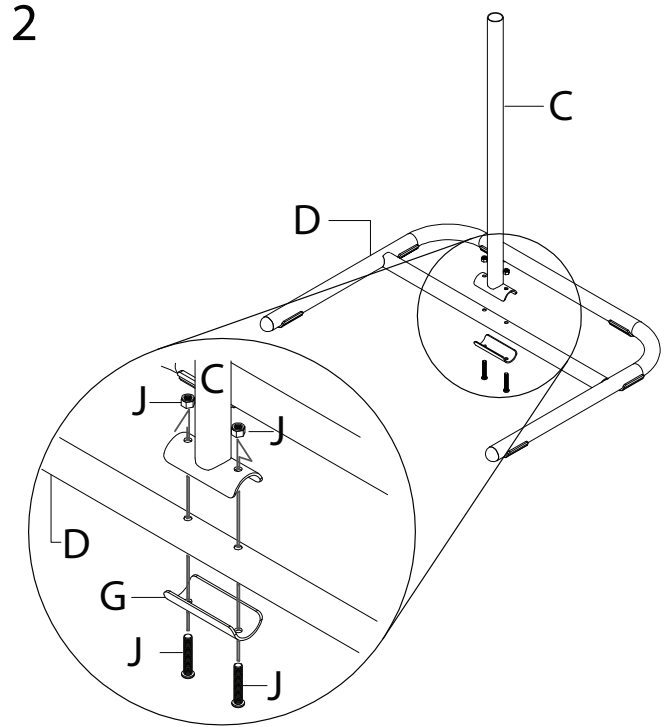
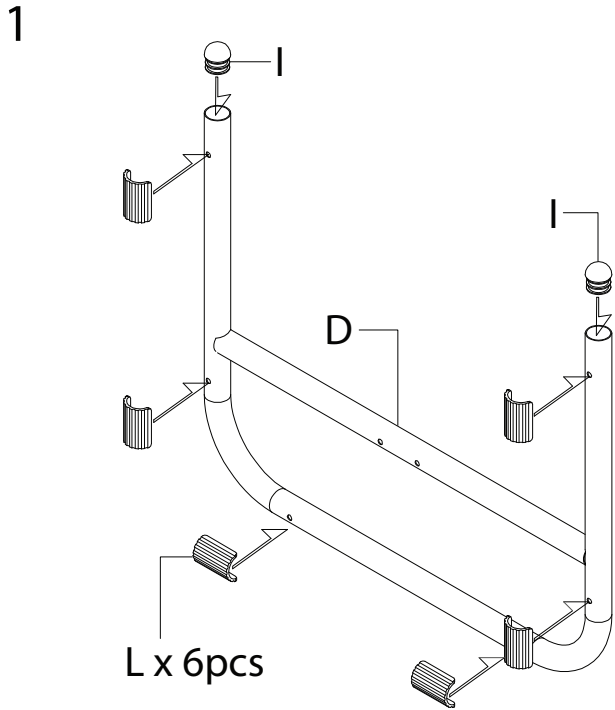
N - 2pcs



O - 2pcs

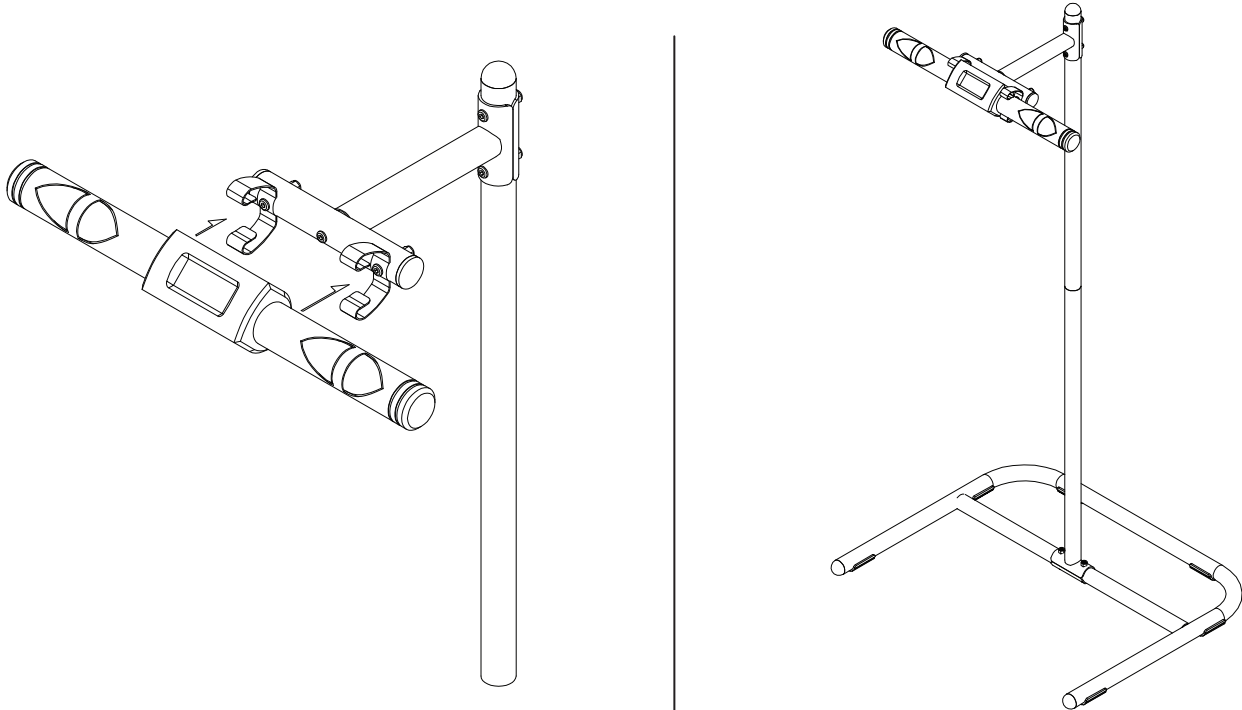


**Assembly Instructions**



## Assembly Instructions

5



## Care and Safety

Take care to instruct users on proper use of equipment.

This stand may be cleaned with a damp cloth and mild detergent. Periodically check all fasteners and connections. Tighten if necessary.

Recommended for use with Sportime PulseBar (item #1328213)